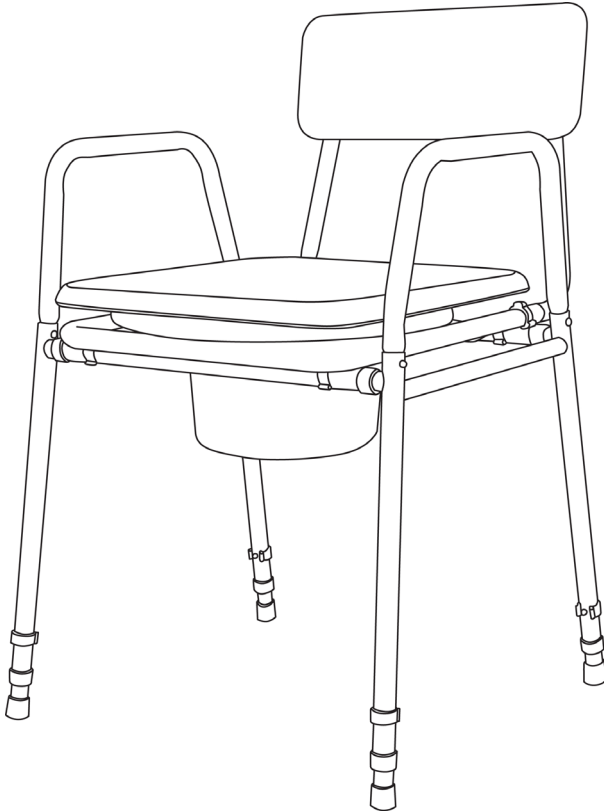




VR161KD

Bedside Commode
(Flat Packed)



This file is available to view and download as a PDF at www.aidapt.co.uk. Sight impaired customers can use a free PDF Reader (such as adobe.com/reader) to zoom in and increase the text size for improved readability.

Fixing and Maintenance Instructions

READ BEFORE USE

Before using your new product, you and each person that may assist you in its use should take time to read this manual and follow all instructions.

INTRODUCTION

Thank you for deciding to purchase your Commode from Aidapt. When used correctly it is designed to give many years of reliable, trouble-free service.

Please examine your commode for any visible damage before using. If you see any damage or suspect a fault, please contact your supplier.

In this case, please do not use your product as it may compromise your safety.

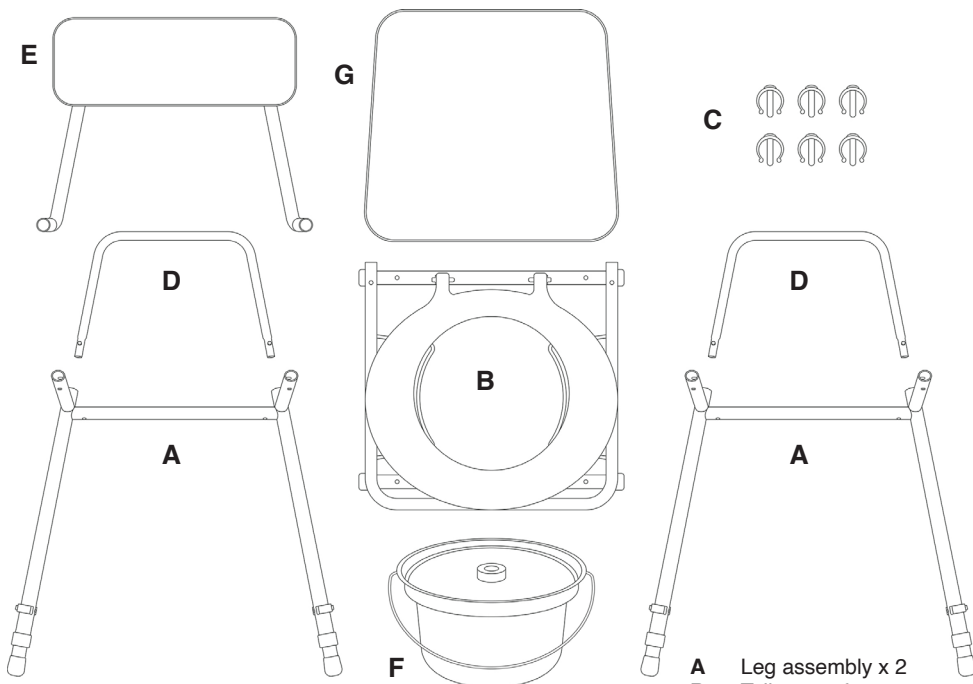
VR161KD Bedside Commode (Flat Packed)

Weight Limit: 180kg/28.3 stones

Do not exceed the weight limit stated- doing so could put the user at risk.

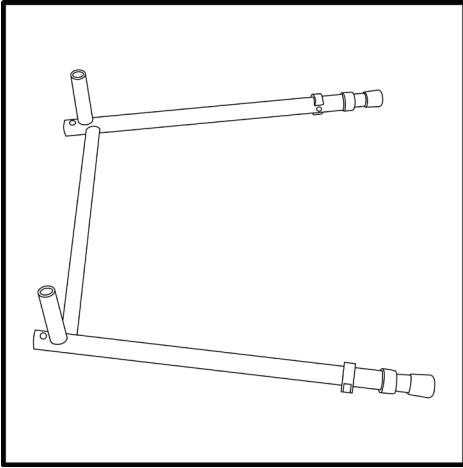
PARTS LIST

Check all parts are present before starting assembly.

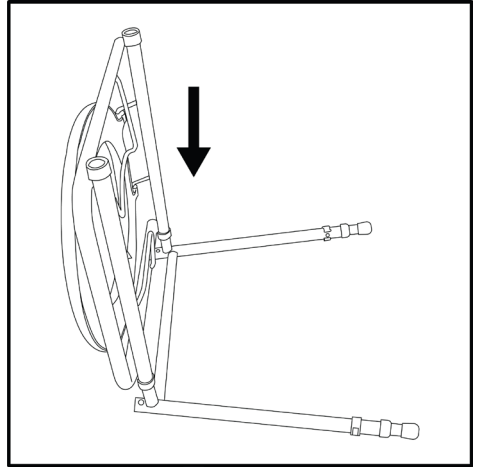


- A** Leg assembly x 2
- B** Toilet seat frame x 1
- C** E-clips x 6
- D** Armrests x 2
- E** Backrest x 1
- F** Pail x 1
- G** Padded overseat x 1

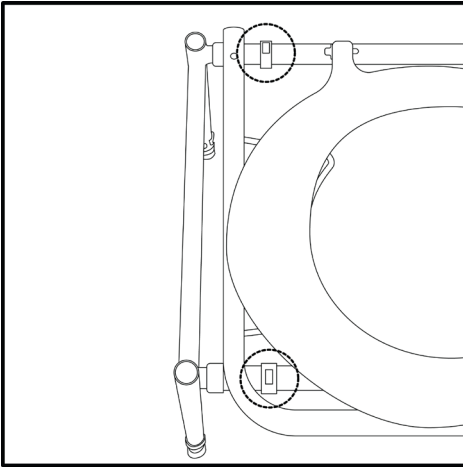
ASSEMBLY INSTRUCTIONS



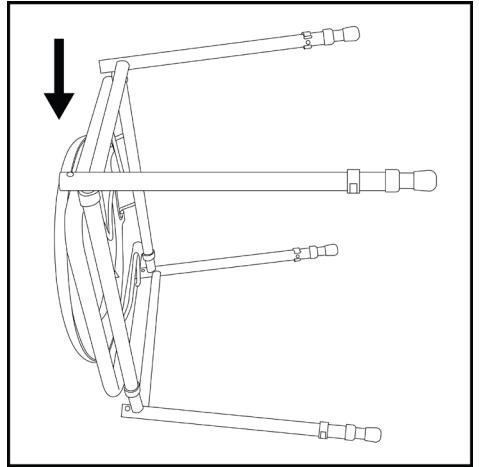
1. Place leg assembly (A) on a flat, stable surface



2. Attach the toilet seat frame (B) to the leg assembly

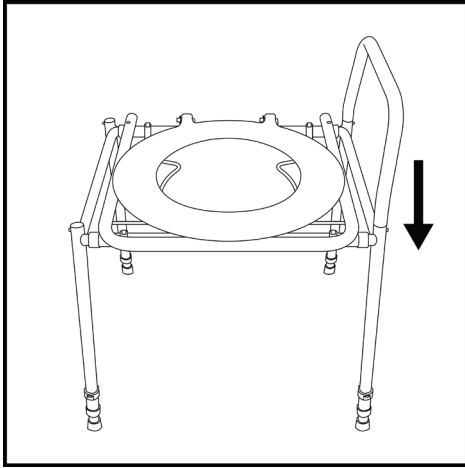


3. Secure using 2 x e-clips (C)

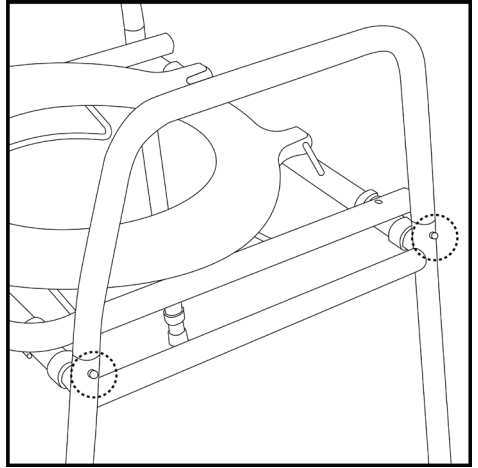


4. Attach the second leg assembly (A) to the toilet seat frame and secure using 2 x e-clips (C)

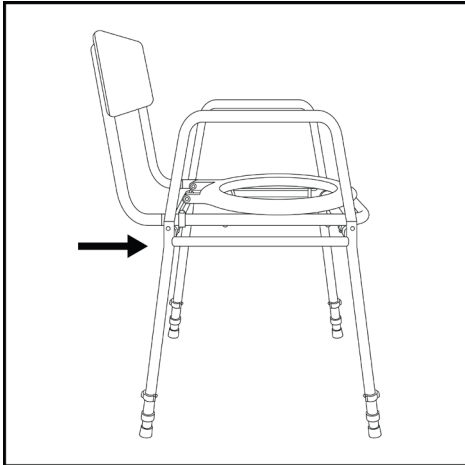
ASSEMBLY INSTRUCTIONS (continued)



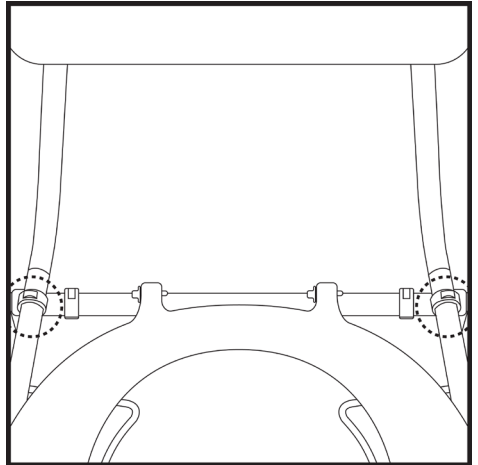
5. Stand the completed frame up and attach one of the armrests (the armrest should curve outwards slightly and the locator pins should be on the outside of the product)



6. Make sure the locator pins lock into place with a click. Repeat with the second armrest

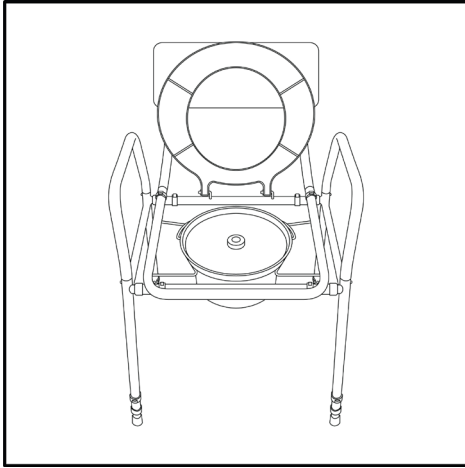


7. Attach the backrest (E) to the back of the frame

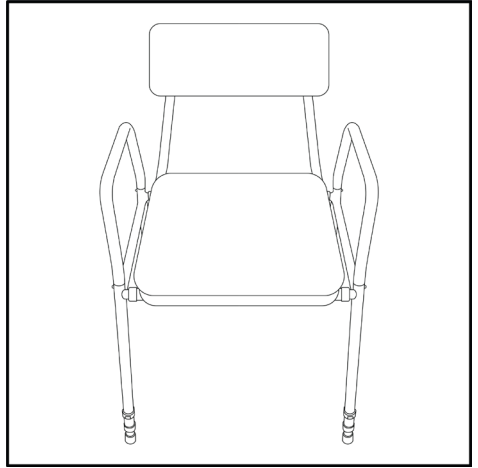


8. Secure using 2 x e-clips (C)

ASSEMBLY INSTRUCTIONS (continued)



9. Lift the toilet seat and place the pail (F) into the cradle



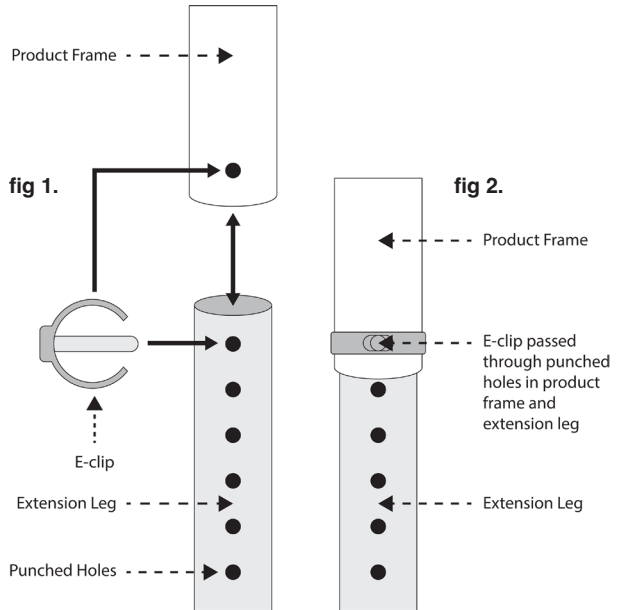
10. The padded overseat (G) can be placed over the product when it is not in use

HEIGHT ADJUSTMENT

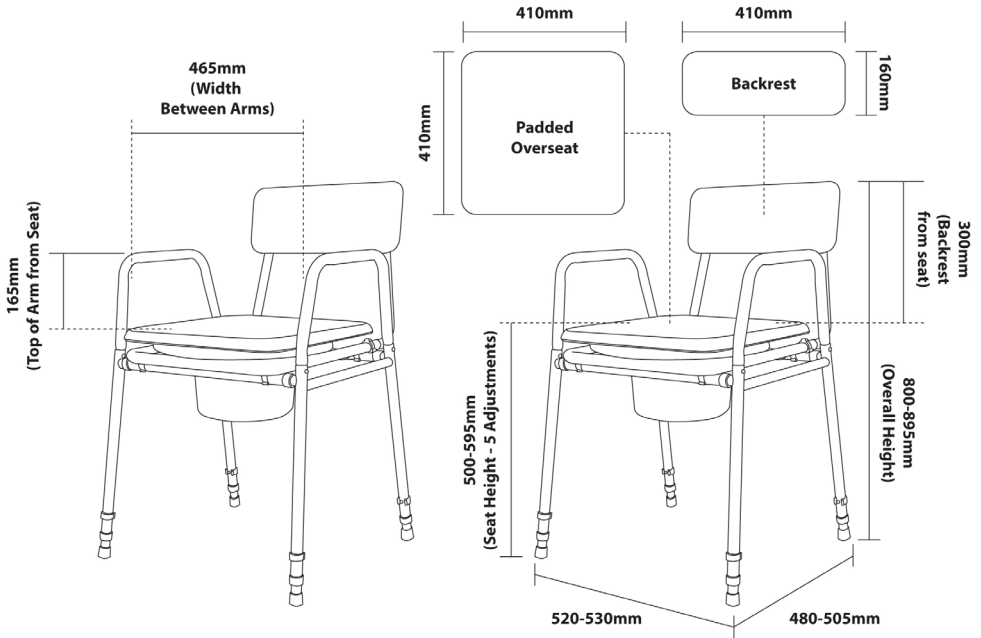
Remove the e-clip from the extension leg and extend all legs evenly to the desired height ensuring you do not exceed the last punched hole of the extension leg. (see fig. 1)

Once you have achieved the height you require, re-install the e-clip ensuring that it has passed through the extension leg and is secured neatly and snugly around the commode leg. (see fig.2)

Make sure that all legs are sitting evenly onto the floor, never extend legs in a manner that the commode is slanting. This will compromise the safety of the user.



SPECIFICATIONS



Overall Height (mm)	800-895
Overall Width (mm).....	520-530
Overall Depth (mm)	480-505
Seat Dimensions (WxD) (mm).....	410x410
Width Between Arms (mm).....	465
Top of Arm from Seat (mm)	165
Seat Height (mm)	500-595 (5 Adjustments)
Backrest (WxD) (mm).....	410x160
Seat to Top of Backrest (mm).....	300
Net Weight (kg).....	6.8
Gross Weight (kg).....	7.4
Max. User Weight (kg).....	180kg (28.3 stones)

COMMODOE PAILS

To remove the commode pail, simply lift the toilet seat and fix the lid provided onto the pail, to avoid splashing, and carefully raise the pail and dispose of the contents into a proper sluice or WC. Never use an open drain, sink or basin. This could cause a serious health risk. Clean out the residue with a suitable disinfectant and refit the pail to the commode after use.

CLEANING

All commodes must be cleaned using a non-abrasive cleaner or can be pressure washed. However, always ensure that any chemicals you use with your pressure washing will not affect chrome plate, polymer coating or epoxy powder coating. After cleaning use a water dispersing agent such as WD40 on all joints to reduce the chance of permanent rust or seizure.

CARE & MAINTENANCE

Please make a safety check of the product at regular intervals or if you have any concerns.

Do not allow children or unauthorised persons to play with the equipment or use without proper supervision.

IMPORTANT INFORMATION

The information given in this instruction booklet must not be taken as forming part of or establishing any contractual or other commitment by Aidapt Bathrooms Limited, Aidapt (Wales) Ltd or its agents or subsidiaries and no warranty or representation concerning the information is given.

Please exercise common sense and do not take any necessary risks when using this product; as the user you must accept liability for safety when using the product.

Please do not hesitate to contact the person who issued this product to you or the manufacturer (detailed below) if you have any queries concerning the assembly/use of your product.

Aidapt Bathrooms Ltd, Lancots Lane, Sutton Oak, St. Helens, WA9 3EX
Telephone: +44 (0) 1744 745 020 • Fax: +44 (0) 1744 745 001 • Web: www.aidapt.co.uk
Email: accounts@aidapt.co.uk • adaptions@aidapt.co.uk • sales@aidapt.co.uk

EU Authorised Representative

Name: Aidapt B.V.
Address: Algolweg 22, Amersfoort, 3821BH, NL
Tel: +31 0332779210
E-mail: nederland@aidapt.eu