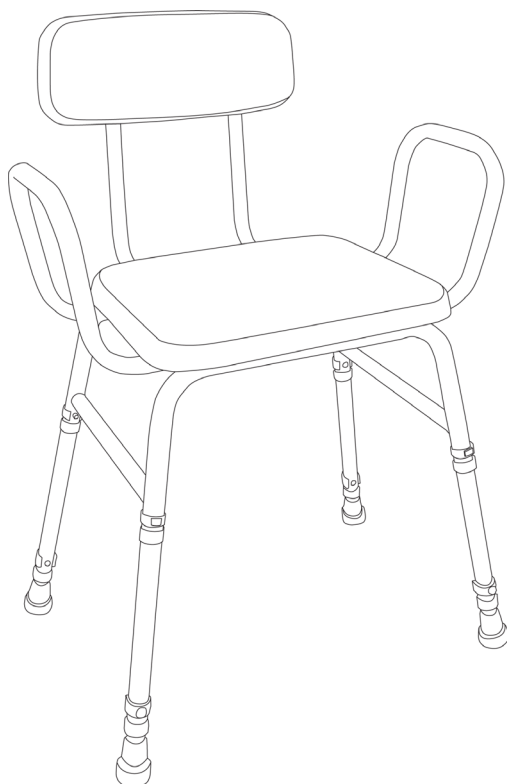




VG865KD

**Multi-Use Perching Stool with
Padded Backrest (Flat Packed)**



Fixing and Maintenance Instructions

This file is available to view and download as a PDF at www.aidapt.co.uk. Sight impaired customers can use a free PDF Reader (such as adobe.com/reader) to zoom in and increase the text size for improved readability.

INTRODUCTION

Thank you for deciding to purchase the Perching Stool from Aidapt. The Perching Stool range is manufactured from the finest material and components available, when installed and used correctly it is designed to give many years of reliable trouble-free service.

N.B. This equipment must be installed by a competent person and a risk assessment may be needed as to the suitability of the chair for the particular user.

VG865KD - Multi-Use Perching Stool with Padded Backrest

170kg (26 stones) weight limit

DO NOT exceed the weight limit stated - doing so could put the user at risk

BEFORE USE

- Carefully remove all packaging. Avoid using any knives or other sharp instruments as this may damage the surface of the product.
- Check the product for any visible damage. If you see any damage or suspect a fault, do not use your product as it may compromise your safety, but contact your supplier for support.

USE OF THE PERCHING STOOL

When moving always lift the perching stool by placing your hands on the tubular metal frame beneath the seat.



Do not allow children or unauthorised persons to play with or use the stool.



Do not rock back and forth or sideways when using the stool as this will cause excessive stress and possible damage and failure which may cause injury.



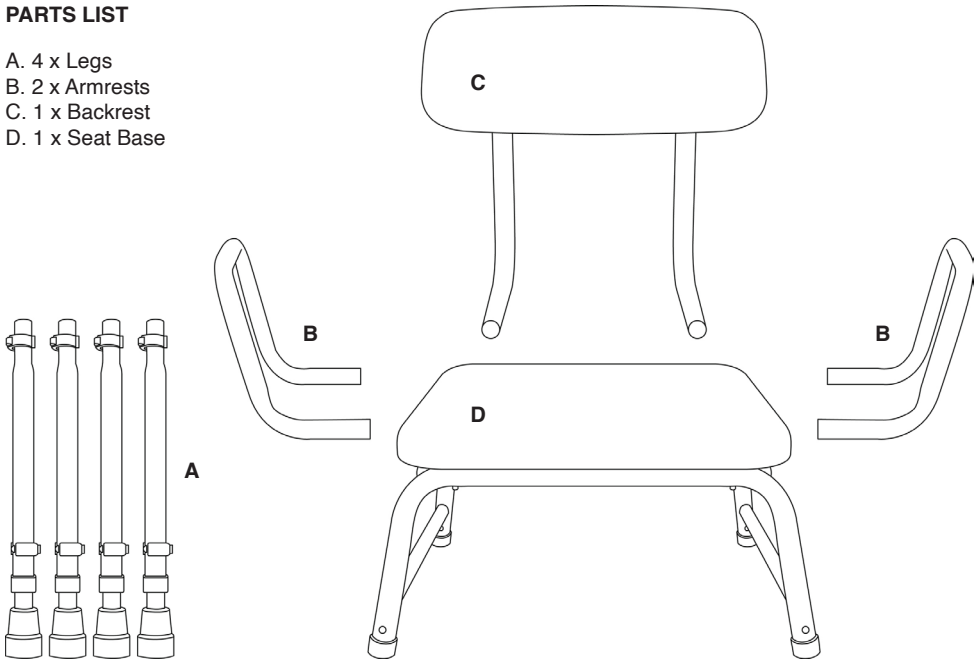
Do not use the perching outside the home or on uneven surfaces (such as in the garden) as this will cause stress to the legs and possible damage which may cause injury.



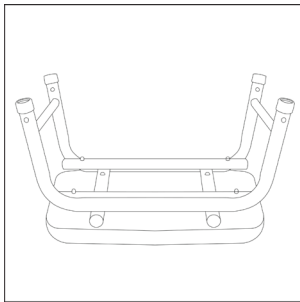
Do not place fingers or foreign objects into any of the exposed tubular sections as this can lead to serious injury.

PARTS LIST

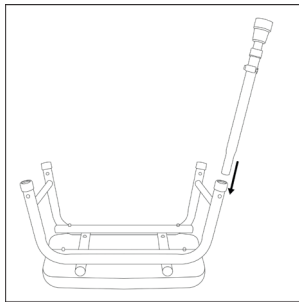
- A. 4 x Legs
- B. 2 x Armrests
- C. 1 x Backrest
- D. 1 x Seat Base



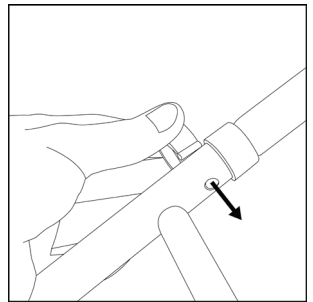
ASSEMBLY



1. Place the seat base (D)
upside down on a flat stable
surface

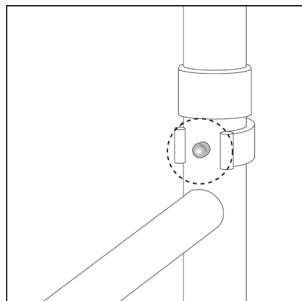


2. Attach each leg (A) to the
seat base (D)

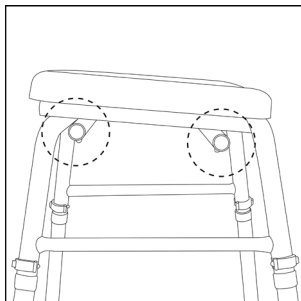


3. Secure using an a-clip

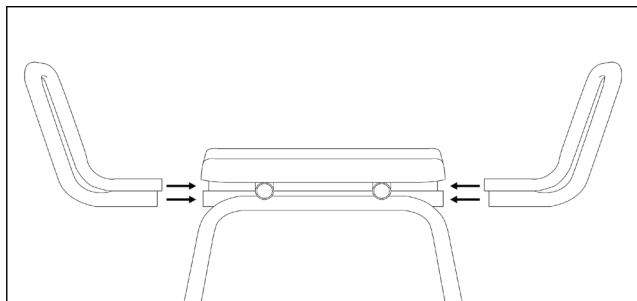
ASSEMBLY (CONTINUED)



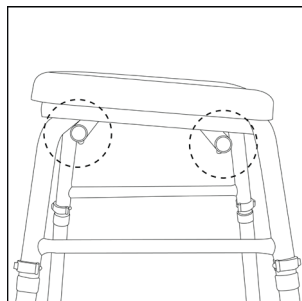
4. Ensure the e-clip pin has passed completely through the frame



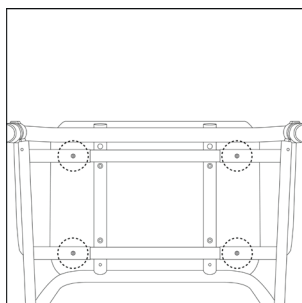
5. Locate the armrest holes on each side of the seat frame



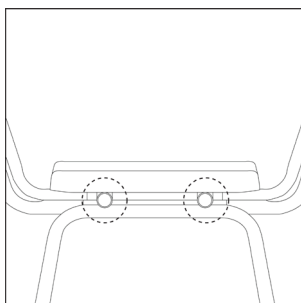
6. Attach an armrest (B) to each side of the seat frame



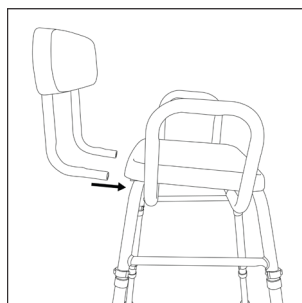
7. Press the locator pins on the underside of the seat frame and the arms will click into place



8. Ensure that all 4 locator pins have passed fully through the seat frame on the underside

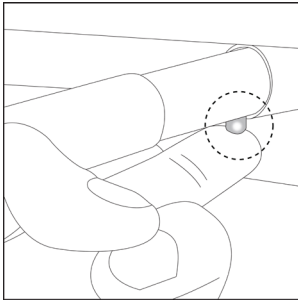


9. Locate the backrest holes on the back of the seat frame

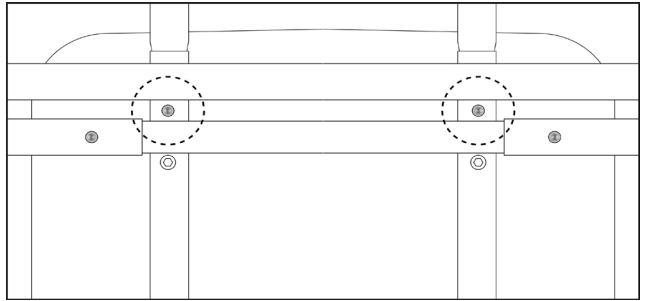


10. Attach the backrest (C) to the back of the seat frame

ASSEMBLY (CONTINUED)



11. Press the locator pins on the underside of the seat frame and the backrest will click into place



12. Ensure that both locator pins have passed fully through the seat frame on the underside

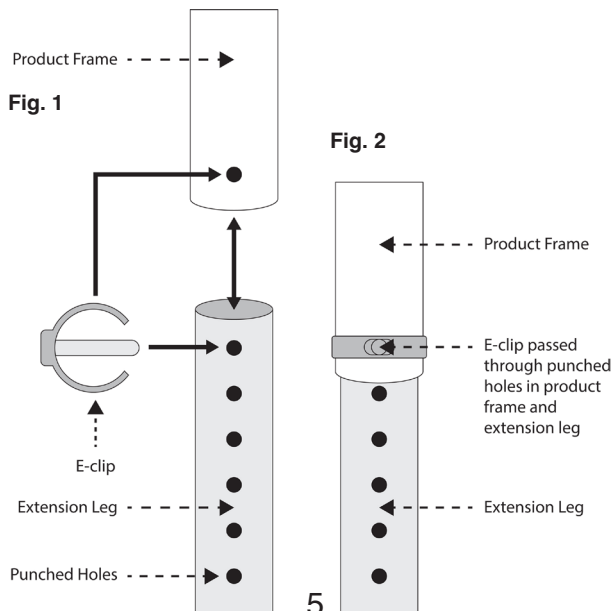
HEIGHT ADJUSTMENT

Remove the 'E' clip from the extension leg and extend all legs evenly to the desired height ensuring you do not exceed the last punched hole of the extension leg. (see fig. 1)

Once you have achieved the desired height; reinstall the 'E' clip, ensuring that it has passed through the extension leg and that it fits neatly and snugly around the outside leg. (see fig. 2)



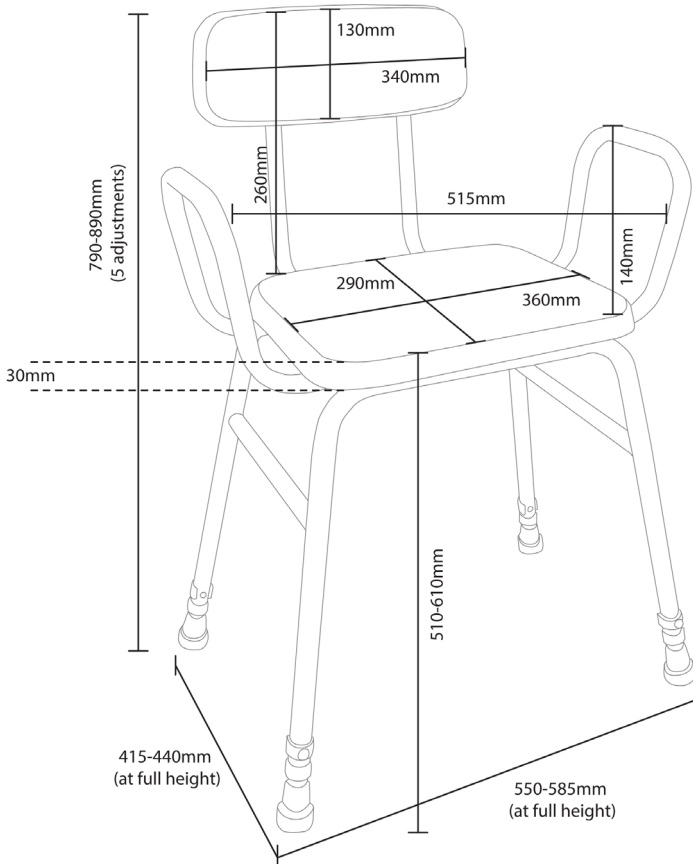
NB. The perching stool is designed to slant to the front. Do not adjust any of the legs to make the seat level as this will cause excessive stress to the legs compromising user safety and possibly leading to permanent damage of the perching stool, including fracture of the tubular and other sections.



COMPOSITION

The perching stools are made from mild steel PPA/ epoxy coated with upholstered CMHR foam and fire retardant vinyl seats or contoured polyurethane seats.

TECHNICAL SPECIFICATION



Colour.....	White and Blue
Overall Depth (mm).....	415-440
Backrest Height (mm).....	130
Seat Width (mm).....	360
Seat Depth (mm).....	290
Height of Arms from Seat (mm).....	140
Height from Floor to Top of Back (mm).....	790-890
Seat Height (mm).....	510-610
Width of Backrest (mm).....	340
Overall Width (mm).....	550-585
Net weight (kg).....	5.7
Gross Weight (kg).....	6.3

CLEANING

Prior to cleaning remove all pin clips and the four extension legs with the ferrules fitted. Clean these items separately to the main frame. Clean the upholstery using a non-abrasive cleaner or mild detergent with a soft cloth. Abrasive cleaners e.g. AJAX and/ or abrasive cleaning pads will seriously damage the upholstery beyond repair.

REISSUE

If you reissue or are about to reissue this product, please thoroughly check all components for their safety.

This includes:

- Tightness of all nuts/bolts/castors and other screw in/bolt in/push in components.
- Also check all upholstery (if applicable) for security, splits, exposed staples, etc.

If in any doubt, please do not issue or use, but immediately contact your supplier for service support.

When reissuing, a risk assessment may be required as to the suitability of the chair for a particular user.

CARE & MAINTENANCE

Please make a safety check of the product at regular intervals or if you have any concerns.

IMPORTANT INFORMATION

The information given in this instruction booklet must not be taken as forming part of or establishing any contractual or other commitment by Aidapt Bathrooms Limited, Aidapt (Wales) Ltd or its agents or its subsidiaries and no warranty or representation concerning the information is given.

Please exercise common sense and do not take any unnecessary risks when using this product; as the user you must accept liability for safety when using the product.

Please do not hesitate to contact the person who issued this product to you or the manufacturer (detailed below) if you have any queries concerning the assembly/use of your product.

Manufacturer/Importer

Name: Aidapt Bathrooms Ltd.

Address: Lancots Lane, Sutton Oak, St. Helens, WA9 3EX

Tel: 01744 745 020 | E-mail: sales@aidapt.co.uk

EU Authorised Representative

Name: Aidapt B.V.

Address: Algolweg 22, Amersfoort, 3821BH, NL

Tel: +31 0332779210 | E-mail: nederland@aidapt.eu