



This user manual contains essential information in relation to safe use and should be retained with the bed transfer aid for reference



## **Solo Bed Transfer Aid**



**VY428 - Height Adjustable (NO Straps) VY438 -  
Height Adjustable (With Strap Set)**

**VY428N - Fixed Height (NO Straps) VY438N -  
Fixed Height (With Strap Set)**

**Assembly and Operating Instructions**



## INTRODUCTION

The Solo Bed Transfer Aid can be fitted to single, double, queen and king size beds.



*This item is designed and tested to aid transfer to and from the bed, it is not designed to be used as a safety rail, and must not be used as a side rail to prevent falls from the bed. This item is NOT suitable for use by children.*

**PLEASE NOTE: VY428/VY428N IS THE SOLO BED TRANSFER AID WITHOUT STRAP**



**This equipment must be installed by a competent person and a risk assessment undertaken as to the suitability of the Bed Transfer Aid for the particular user and user's bed. Assessors should read and understand the MHRA publication; Bedrails: management and safe use, which can be downloaded from [www.gov.uk](http://www.gov.uk).**

**VY428/VY438 ..... 127 kg (20 st.) weight limit**

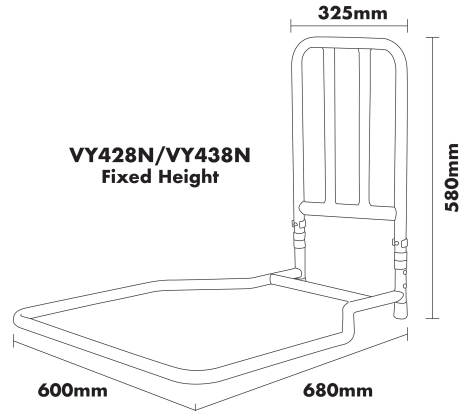
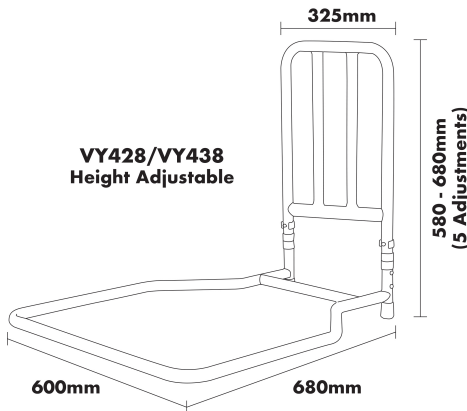
**VY428N/VY438N ..... 159 kg (25 st.) weight limit**

**Note: Do not exceed the weight limit stated – doing so could put the user at risk.**



## BEFORE USE

- Carefully remove all packaging. Avoid using any knives or other sharp instruments as this may damage the surface of the product.
- Check the product for any visible damage. If you see any damage or suspect a fault, do not use your product as it may compromise your safety, but contact your supplier for support.



### VY428/VY428N

### VY438/VY438N

Net Weight (kg) ..... 3.16 ..... 3.30

Gross Weight (kg) ..... 3.66 ..... 3.80

## ASSEMBLY AND INSTRUCTIONS

1. Your Bed Transfer Aid is shipped ready assembled with its handle at its lowest setting (VY428 & VY438).
2. To install, remove the mattress from the bed where the Bed Transfer Aid is to be installed and check for any obstructions.
3. Place the Bed Transfer Aid onto the base of the bed with the large flat base on the bed frame and the looped handle facing upwards level with the side of the bed (see fig. 1)
4. Take the short strap and attach to the short bar (see fig. 2). To attach the short strap feed the male buckle through the looped strap, around the short bar (see fig. 3, 4 & 5). Pull to tighten.

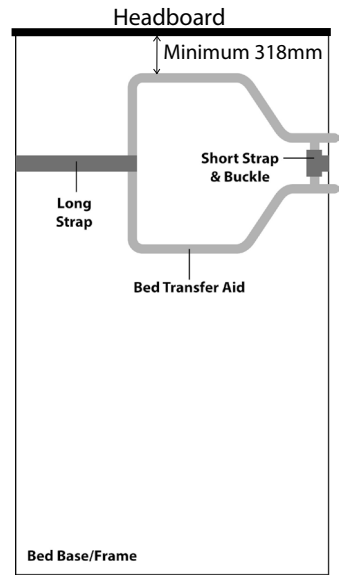


fig. 1

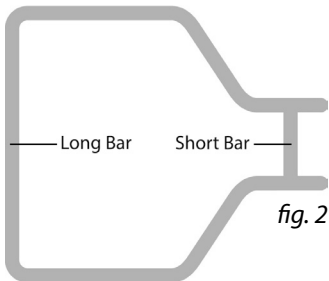


fig. 2



fig. 3

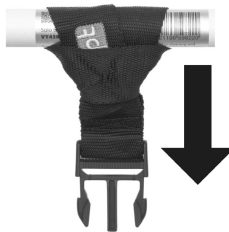


fig. 4

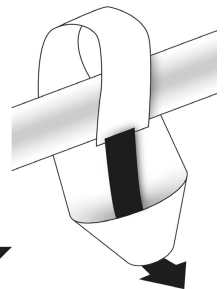
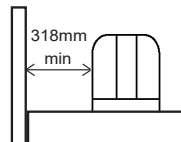


fig. 5



**WARNING** To safeguard against entrapment this device must be located at least 318mm away from the head/footboard.



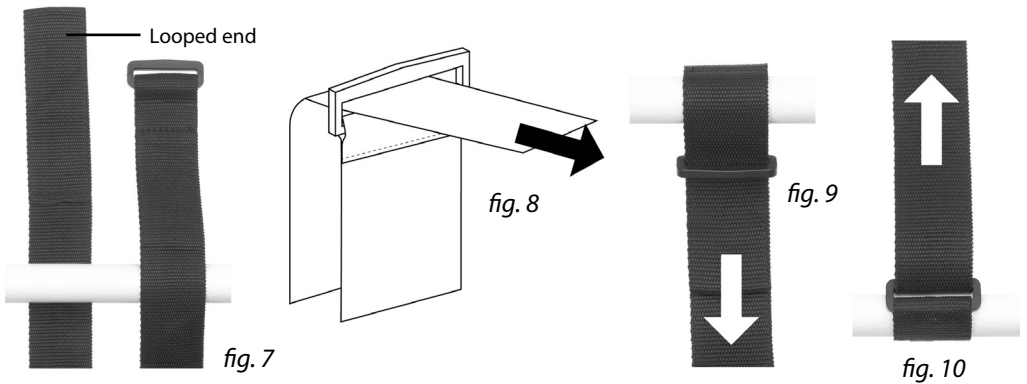
## ASSEMBLY AND INSTRUCTIONS (continued)

5. Take the longer strap and remove the female buckle from the end (see fig. 6)

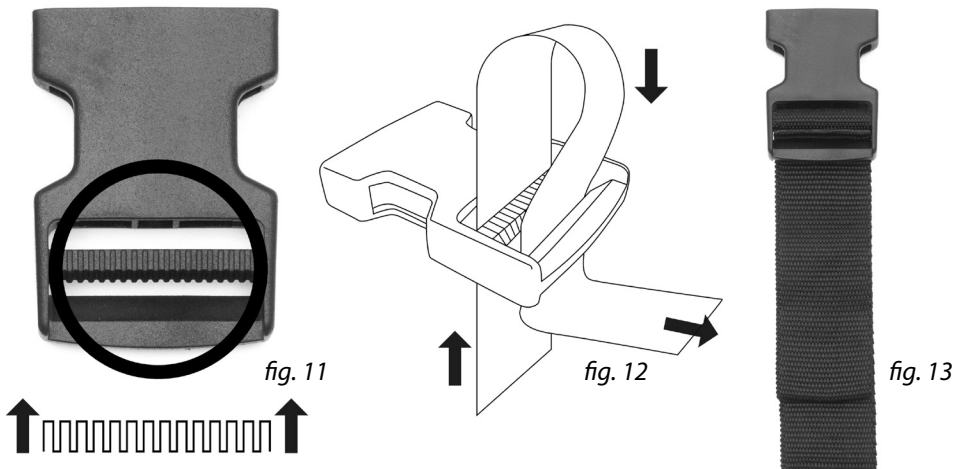


fig. 6

6. Attach the long strap to the long bar (see fig. 2) by feeding the looped end of the strap through the D ring and pull the strap tight (see fig. 7, 8, 9 & 10)

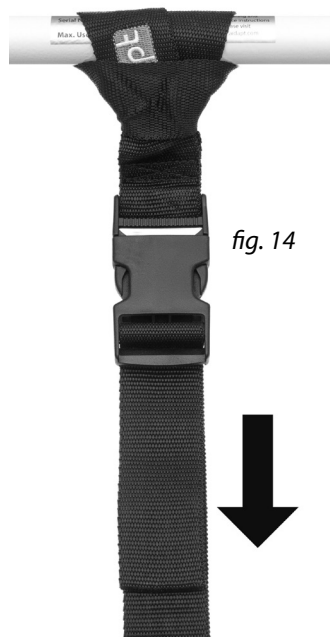


7. Reattach the female buckle to the looped end of the long strap (see fig. 11, 12 & 13)  
**ENSURE THAT THE TEXTURED CENTRE PIN OF THE BUCKLE IS FACING UPWARDS AS THIS PREVENTS THE STRAP FROM SLIPPING WHEN THE TRANSFER AID IS IN USE (see fig. 11 & 12)**



## ASSEMBLY AND INSTRUCTIONS (continued)

8. Feed the female buckle and the long strap underneath the base of the bed. Move the Bed Transfer Aid up and down the bed to find the best position for the user to safely lift themselves.
9. Ensure that the frame of the Bed Transfer Aid is square to the side of the bed and that both of the black feet at the base of the unit are touching the side of the bed.
10. Clip the two buckles together and tighten the strap ensuring the Bed Transfer Aid is secure in its position and the buckle is clipped securely (see fig. 14).  
**Tuck away any excess strap to avoid trips.**
11. Replace the mattress ensuring that the Bed Transfer Aid handle is pointing upwards and the unit is in the optimum position to suit the client's needs.
12. If required a second strap set can be fitted (Not supplied, order code VS247)



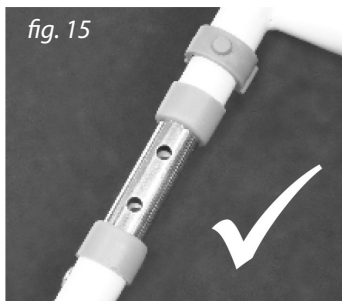
## HEIGHT ADJUSTMENT (VY428 & VY438 ONLY)

The height of the handle on the Bed Transfer Aid can be adjusted to suit the client's requirements. To adjust the handle simply remove the two grey e-clips from the base of the handle and lift the required height ensuring that you do not exceed the last pre-punched hole on the base of the frame.

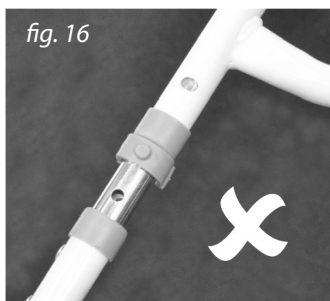
Once the desired height is achieved, re-insert the e-clips into the pre-punched holes, ensuring that both clips pass completely through the tube frame, the inner tube and out the other side and are in place securely (see fig. 15 & 16)



When using height adjustment the gap between the mattress and the transfer rail must not exceed 120mm.



CORRECT



INCORRECT

## **CLEANING**

### **A useful guide to decontamination is MHRA leaflet DB2003(06).**

Do not use abrasive cleaners as this could damage the surface of the equipment. For cleaning, wipe with a clean cloth soaked in detergent solution and wring out. Depending on the detergent manufacturer's instructions the solution may be heated.

Wipe all surfaces of the equipment and the cloth should be re-immersed periodically and the detergent changed frequently. The detergent should be rinsed or wiped off using a clean cloth immersed in clean water and wrung out.

To disinfect make sure the equipment has been cleaned and dried and then wipe over with a clean cloth and a compatible liquid disinfectant. After disinfecting clean with clean water and dry.

When using detergent or disinfectants then please refer to manufacturers' instructions and if unsure then consult your local Infection Control Specialist for advice.

This equipment can be cleaned/disinfected by moist heat at 80oC for a minimum of 1 minute or autoclaved at 80oC for at least 1 minute. After cleaning or disinfecting treat all joints with a water dispersing agent, e.g. WD40.

## **REISSUE**

If you reissue or are about to reissue this product, please thoroughly check all components for their safety.

This includes:

- Tightness of all nuts/bolts/castors and other screw in/bolt in/push in components
- Upholstery (if applicable) for security, splits, exposed staples, etc
- Straightness and integrity of all tubing and welds

**If in any doubt, please do not issue or use, but immediately contact your supplier for service support.**

**When reissuing, a risk assessment must be undertaken as to the suitability of the Bed Transfer Aid for the particular user and user's bed.**

## **IMPORTANT INFORMATION**

The Bed Transfer Aid hand grips have been designed to meet the latest MHRA guidelines on entrapment, however you must ensure that there is no risk to the user or carer after the installation and service of the Bed Transfer Aid with Strap or without Strap.

Do not allow children or unauthorised persons to play with the equipment or use the bed transfer aid without proper supervision.

## **CARE & MAINTENANCE**

Please make a safety check of the product at regular intervals or if you have any concerns.



Manufactured by: Aidapt Bathrooms Limited  
Lancots Lane St Helens Merseyside, WA9 3EX UK

T: 01744 745020

E: sales@aidapt.co.uk

W: www.aidapt.co.uk



Aidapt BV  
Algolweg 22 3821BH  
Amersfoot  
Netherlands