



Canterbury Multi Use Table



VG832
With Four
Braked Castors



VG866
NO
Castors

Fixing and Maintenance Instructions

This file is available to view and download as a PDF at www.aidapt.co.uk. Sight impaired customers can use a free PDF Reader (such as adobe.com/reader) to zoom in and increase the text size for improved readability.

INTRODUCTION

Thank you for purchasing a Canterbury Multi Use Table from Aidapt.

These instructions should be read carefully and left with the user of the product for future reference. Please see our website user manual if you require a larger font.

Please ensure this equipment is installed by a competent person.

VG832 – Canterbury Multi Use Table with 4 Braked Castors **Max Weight Load 15kg**

VG866 – Canterbury Multi Use Table with NO Castors **Max Weight Load 15kg**

DO NOT exceed the weight limit stated – doing so could put you at risk.

BEFORE USE

- Carefully remove all packaging. Avoid using any knives or other sharp instruments as this may damage the surface of the product.
- Check the product for any visible damage. If you see any damage or suspect a fault, do not use your product, but contact your supplier for support.

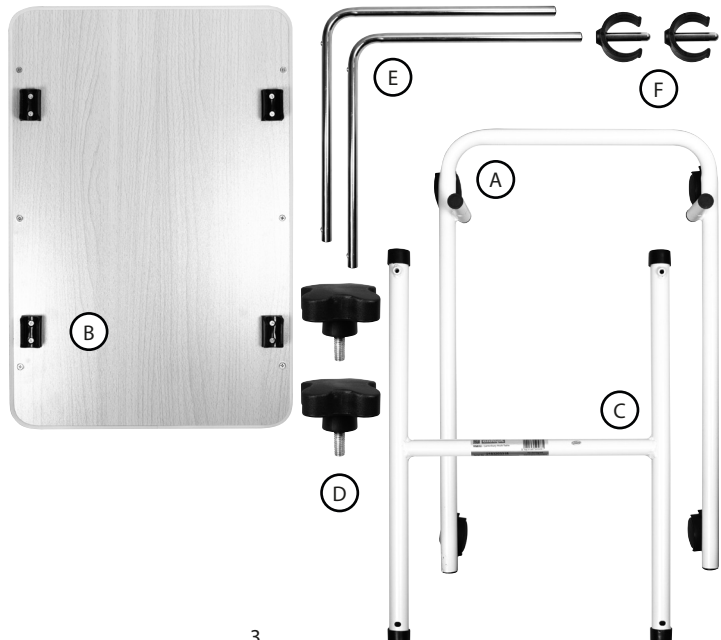
INTENDED USE

The Canterbury Multi Use Table is a convenient table for use around the home. This height-adjustable table has a hardwood table top, the top can also be set to different angles from flat to 45° approximately, as required.

PARTS

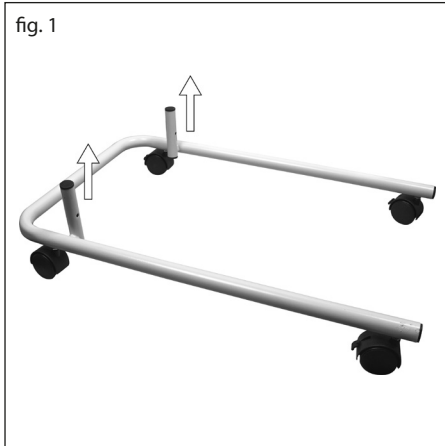
Locate and identify all parts **before** beginning assembly. If any parts are missing **DO NOT** assemble the unit, but contact your supplier.

- A. U Base Frame x 1
- B. Table Top x 1
- C. H Frame x 1
- D. Thumb Wheel x 2
- E. L Tube x 2
- F. E-Clips x 2

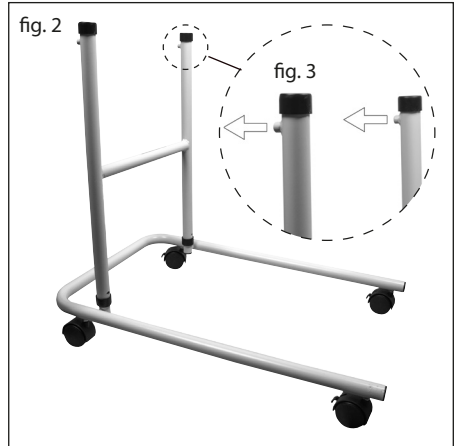


ASSEMBLY INSTRUCTIONS

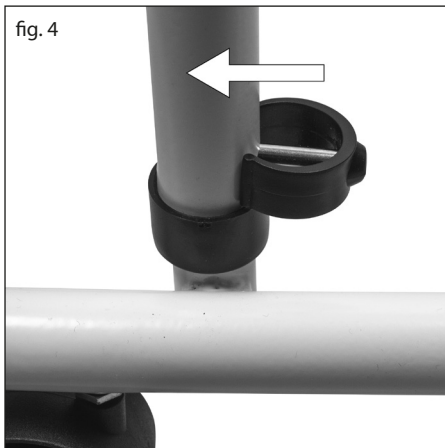
Please examine your product for any visible damage before using/installing. If you see any damage or suspect a fault, please do not use, but contact your supplier.



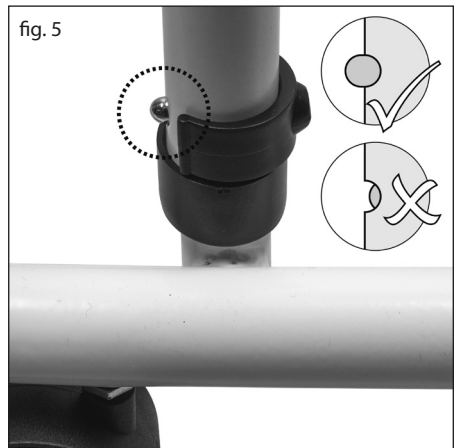
1. Place the U Base Frame (A) on a stable surface, making sure that spigots are facing upwards (see fig. 1)



2. Lower the H Frame (C) onto the spigots of the U Base Frame (A) (see fig. 2), ensuring that the spigots at the top of the H Frame (C) are facing outwards (see fig. 3)

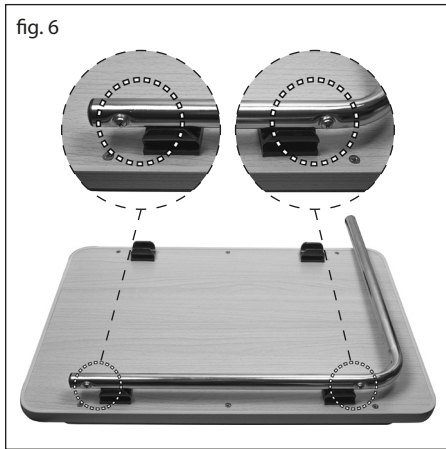


3. Secure the legs of the H Frame (C) to the U Base Frame (A) by aligning the hole in the leg and the spigot and passing through an E-Clip (F) (see fig. 4)



4. Make sure that the E-Clip (F) has passed completely through the leg and the spigot. The centre pin should of the E-Clip (F) should be fully visible (see fig. 5) and a click will be heard

ASSEMBLY INSTRUCTIONS (CONTINUED)



5. Place the Table Top (B) on a stable surface. Take an L Tube (E), find the side with the 2 screws in and lay this side on top of the black plastic clips. Make sure that the 2 screws are on either side of the black plastic clips (see fig. 6)



6. Push down on the L Tube (E) to lock into place (see fig. 7). Repeat with the other L Tube (E)



7. Raise the L Tubes (E) 90° into an upright position (see fig. 8)



8. Insert the L Tubes (E) into the H Frame (C). Slowly lower the Table Top (B), ensure you lower both sides at the same time to prevent binding (see fig. 9)

ASSEMBLY INSTRUCTIONS (CONTINUED)



9. Loosely attach the two Thumb Wheels (D) to the spigots at the top of the H Frame (C) (see fig. 10)



10. Raise or lower the table top to the desired height and tighten Thumb Wheels (D) by turning clockwise (see fig. 11). Ensure that the height is the same on both sides to keep the table level. This is the everyday position. The angle of the Table Top (B) can be adjusted by raising one side more than the other, for activities such as reading etc.

FOR EATING AND DRINKING ETC. THE TABLE TOP (B) MUST BE FLAT.



11. To adjust the height of the Table Top (B) loosen the Thumb Wheels (D) by turning anti-clockwise (see fig. 12), adjust the height and re-tighten the Thumb Wheels (D) by turning clockwise

OPERATION INSTRUCTIONS

- To adjust the height and/or angle of the table, first loosen the two Thumb Wheels (D) by turning them anticlockwise. Adjust the table to suit and secure by turning Thumb Wheels (D) clockwise (see fig. 11 & 12)
- The table is not load bearing and should not be used to support objects over 15kgs (33lbs).
- Do not allow people to lean on the table.

WARNING: The Multi Use Table requires a risk assessment before use.

WARNING: The Multi Use Table must be checked periodically to ensure it is securely in place, retighten as required.

WARNING: DO NOT overtighten the screws otherwise this will cause damage to table top.

WARNING. DO NOT EXCEED 15kg weight load.

CLEANING

All of the product components are manufactured from quality materials. However, it is very important that you only clean your Multi-Use Table using a non-abrasive cleaner or mild detergent with a soft cloth avoid using lime scale remover. Abrasive cleaners or abrasive cleaning pads will seriously damage your product beyond repair.

If to be disinfected by heat (apart from the wooden table top), one of the following three temperatures and duration of exposure can be used:

- a. a temperature of 90°C for 1 minute
- b. a temperature of 85°C for 3 minutes
- c. a temperature of 80°C for 10 minutes

CARE, MAINTENANCE AND YOUR OBLIGATION

Please check the Multi-Use Table periodically for any signs of damage and if in doubt contact your supplier.

TECHNICAL INFORMATION

VG832

Clearance required under bed (mm).....60
ColourWhite/Beech
Configuration.....With Four Braked Castors
Footprint (WxL) Min/Max (mm)665x420
Overall Depth (mm)..... 610
Overall Height (mm).....735-1055
Overall Width (Folded) (mm)..... 170
Overall Width (mm) 410
Product Dimensions (mm).....610x410x735

VG866

Clearance required under bed (mm).....35
ColourWhite/Beech
Configuration.....No Castors
Footprint (WxL) Min/Max (mm)665x420
Overall Depth (mm)..... 610
Overall Height (mm)..... 670-980
Overall Width (Folded) (mm)..... 170
Overall Width (mm) 410
Product Dimensions (mm).....610x410x670

IMPORTANT INFORMATION

The information given in this instruction booklet must not be taken as forming part of or establishing any contractual or other commitment by Aidapt Bathrooms Limited or its agents or its subsidiaries and no warranty or representation concerning the information is given.

Please exercise common sense and do not take any unnecessary risks when using this product; as the user you must accept liability for safety when using the product.

SERVICE WARRANTY

Aidapt Bathrooms Ltd guarantees the product free from defects in material and workmanship for a period of one year.

Should this product be operated under conditions other than those recommended, or any attempts made to service or modify the product, then the warranty is rendered void.

The product you buy may differ slightly from illustrations. This warranty is in addition to, and does not affect your statutory rights.

Our guarantee is administered by our retailers.

If your product arrives damaged, you must contact the retailer from whom you bought it. The retailers contact details will be on the invoice that arrived with the product, or on the email you received when you placed the order. Do not contact Aidapt Bathrooms Ltd, only your retailer can arrange a replacement or refund.

If your product fails within the guarantee period, please contact the retailer from whom you bought it.

If you have received your product and require technical help, please call our help desk on 01744 745 020

A copy of the instructions leaflet can be downloaded from our website.

Aidapt Bathrooms Ltd, Lancots Lane, Sutton Oak, St Helens, WA9 3EX
Telephone: +44 (0) 1744 745 020 Fax: +44 (0) 1744 745 001
Web: www.aidapt.com Email: sales@aidapt.co.uk