



This user manual contains essential information in relation to safe use and should be retained with the stool for reference



VB511R Bath Stool with Rotating Seat



Fixing and Maintenance Instructions

This file is available to view and download as a PDF at www.aidapt.co.uk. Sight impaired customers can use a free PDF Reader (such as adobe.com/reader) to zoom in and increase the text size for improved readability.

Aidapt Bathrooms Limited
Lancots Lane
St Helens
Merseyside
WA9 3EX UK
T: 01744 745020
E: sales@aidapt.co.uk
W: www.aidapt.co.uk



INTRODUCTION

Please examine your product for any visible damage before using/installing. If you see any damage or suspect a fault, please do not use, but contact your supplier.

N.B. This equipment must be installed by a competent person and a risk assessment may be needed as to the suitability of the stool for the particular user.

Weight Limit: 135 kg (21 st.)

NB. Do not exceed the weight limit stated – doing so could put the user at risk.

NB: Not suitable for use as a step, for use only by competent adults.

INTENDED USE

This item is a height adjustable, lightweight shower seat with a rotating seat top, designed to provide extra comfort in the shower, for occasional use.

CLEANING

All of the product components are manufactured from quality materials. However, it is very important that you only clean your shower chairs and stools using a non-abrasive cleaner or mild detergent with a soft cloth avoid using lime scale remover. Abrasive cleaners and or abrasive cleaning pads will seriously damage your product beyond repair. Check that the cleaner you intend to use is suitable for ABS, Vinyl, Polymer Plastics and Thermo plastic rubbers and Polyurethane Rubber.

Do not exceed 50°C when cleaning the seat cover as this will permanently damage the plastic.

N.B. Regular daily cleaning will reduce the build up of limescale on your product.

USE OF BATH OILS

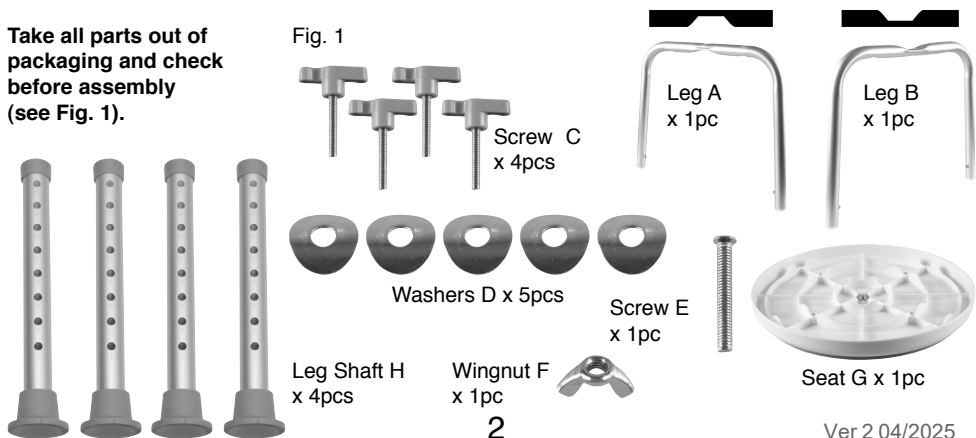
Caution should be observed if you are using any form of bath oils or oily skin preparation with your shower chair as this may impair your natural contact skin resistance.

In the event of using any such oil, your seat must be thoroughly cleaned with a suitable detergent to break down any oily residue. Failure to observe this recommendation could impair your safety.

CARE & MAINTENANCE

Please check product regularly to make sure it does not wobble. Check pins on height adjustment and that screws for holding seat in place are not loose. Please make a safety check of the product at regular intervals or on reissue, or if you have any concerns.

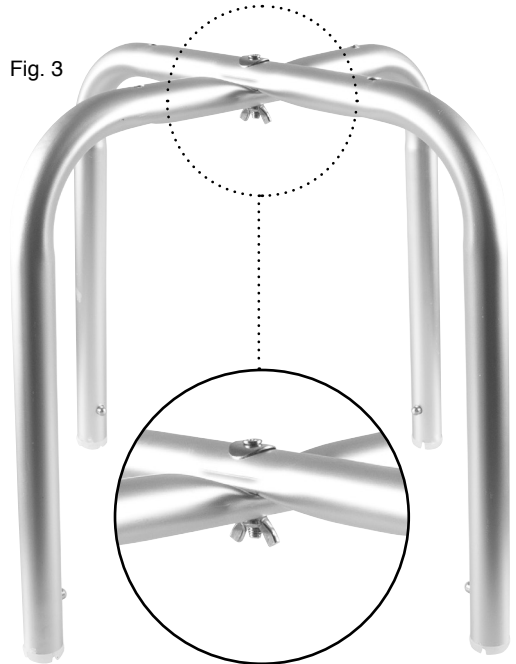
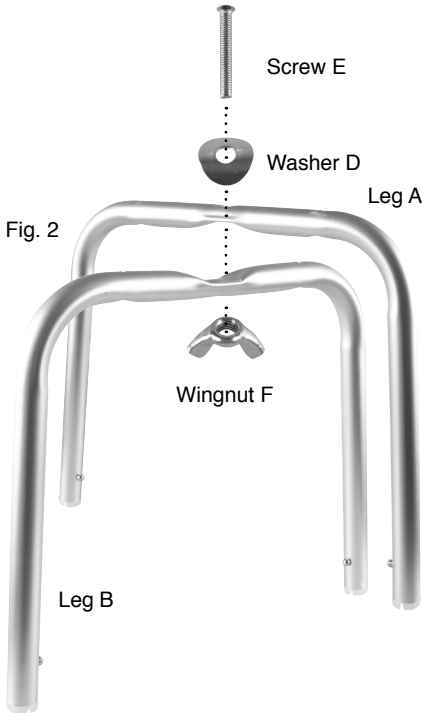
Take all parts out of packaging and check before assembly (see Fig. 1).



ASSEMBLY

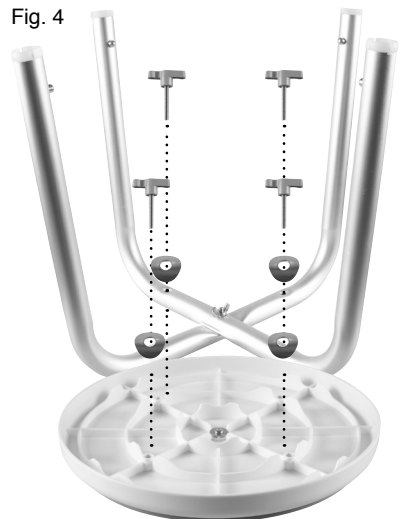
1. Join Leg A and Leg B together using screw (E), washer (D) and wing nut (F). Make sure that Leg A (Leg A has a concave section on the underside, see fig. 1) is on top of Leg B (Leg B has a concave section on the top, see fig. 1) (see fig. 2)

It is very important that the wingnut is attached at the bottom of the leg assembly NOT the top. Attaching at the top will cause a serious stability issue and the stool should not be used (see fig. 3)



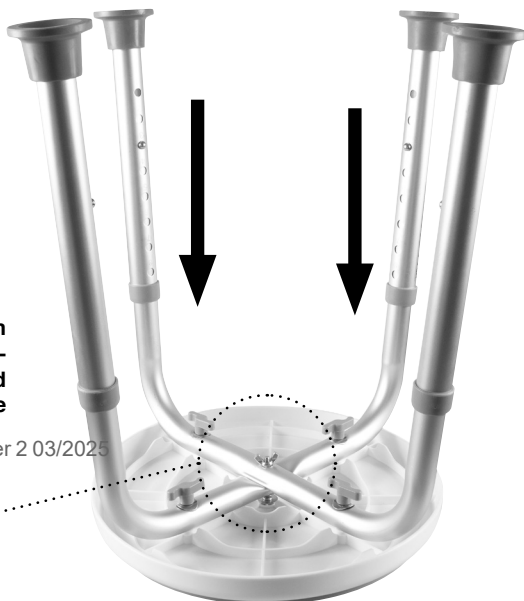
2. Place seat (G) upside down on a level surface so fixing holes are visible (See fig. 4)

3. Align the completed leg assembly with the holes in the seat. Secure leg assembly to the seat using four screws (C) and 4 washers (D) in the outer holes using the hand tighteners (see fig. 4) **You may find it easier to loosely attach all four screws before tightening.**



4. Attach 4 x legs shafts (H) to completed leg/seat assembly (see fig. 5) Push the metal locking pins on leg A and leg B fully into the leg and slide the leg shaft over the legs. **Make sure that all 4 legs are set at the same height (the height settings are numbered on each leg shaft). Setting at different heights will cause a serious stability issue and the stool should not be used.**

Fig. 5



Make sure that the wingnut is in this position and not between the legs and the seat - Attaching the wingnut between the legs and the seat will cause a serious stability issue and the stool should not be used

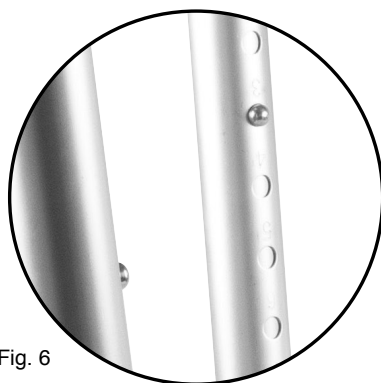


Ver 2 03/2025

HEIGHT ADJUSTMENT

1. Grip leg shaft with one hand whilst pushing the metal locking pin down with the other hand so the locking pin retracts fully into the shaft.
2. Select required height by adjusting the leg in an upwards or downwards motion and release the metal locking pin in front of the required hole position (Fig. 5).
3. Prior to use always ensure that each locking pin fully protrudes from the selected hole position (Fig. 6).

Fig. 6



NB. Never install the extension legs unevenly or slanting, this will compromise the safety of the user. We have numbered the legs for your convenience.

N.B. Always ensure both feet are flat on on the floor with your knees together at a 90 degree angle to your torso before attempting to swivel from side to side.

REISSUE

If you reissue or are about to reissue this product, please thoroughly check all components for their safety.

This includes:

- Tightness of all nuts/bolts/castors
- Other screw in/bolt in/push in components.

NB. If in any doubt, please do not issue or use, but immediately contact your supplier for service support.

IMPORTANT INFORMATION

Please exercise common sense and do not take any unnecessary risks when using this product; as the user you must accept liability for safety when using the product.

Please do not hesitate to contact the person who issued this product to you or the manufacturer (detailed below) if you have any queries concerning the assembly/use of your product.



Aidapt Bathrooms Limited
Lancots Lane St Helens
Merseyside, WA9 3EX UK
T: 01744 745020
E: sales@aidapt.co.uk
W: www.aidapt.co.uk



Aidapt BV Algolweg 22
3821BH Amersfoot
Netherlands
E. nederland@aidapt.eu