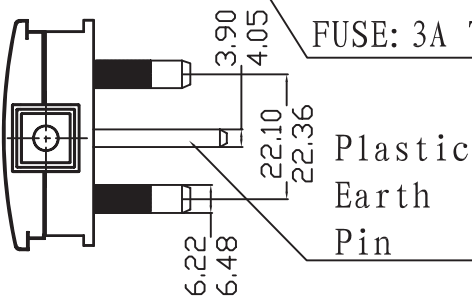


REVISION			
SYM	DESCRIPTION	DATE	APP

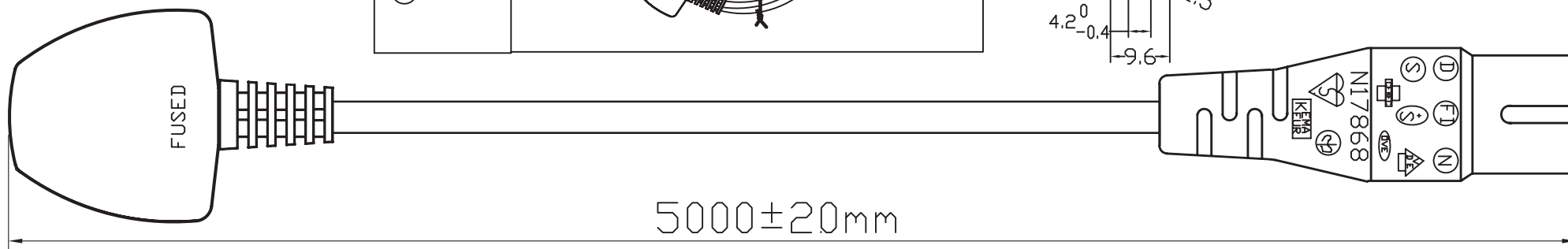
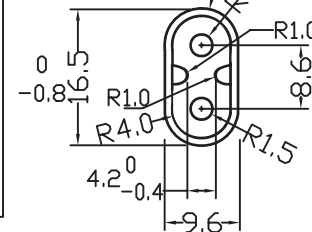
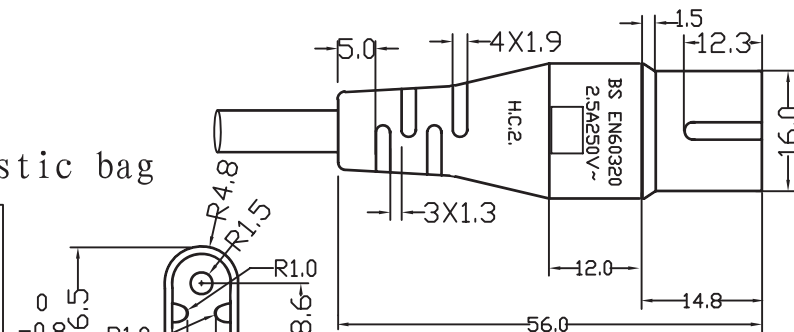
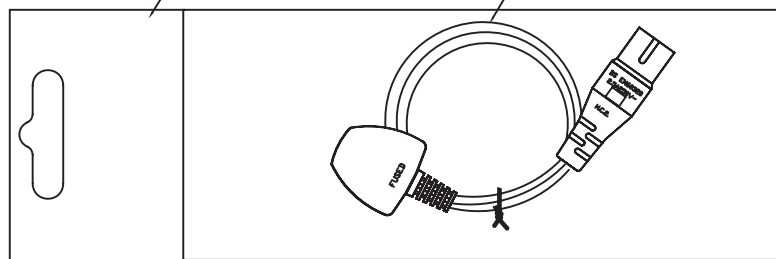


FUSE: 3A TO BS1362 (LYVIA)

Bar code

Transparent plastic bag

Plastic Earth Pin



CABLE MARKING: H03VVH2-F 2X0.75mm<sup>2</sup> ◁ VDE ▷ N19626 CCC A030116 NO. 2003010105097406 227 IEC 52(RVV) 300/300V 2X0.75mm<sup>2</sup>

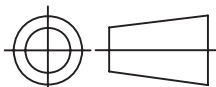
CABLE COLOR: BLACK

# Electrovision

UNLESS SPECIFIED ALL DIMENSIONS ARE IN MM TOLERANCE ON :

DWG SIZE: A4

ISSUE NO: A



CUSTOMER: ELECTROVISION

PART NO: QTY REQ'D PER UNIT: 1

CUSTOMER PART NO.: A145DD

FINAL PROTECTIVE FINISH:

DRAWINGS NO: -ELECTROVISION-66

SCALE N.T.S

SHEET 1 OF 1

DWG,

CHK,

APP,

WANG 2016/04/19