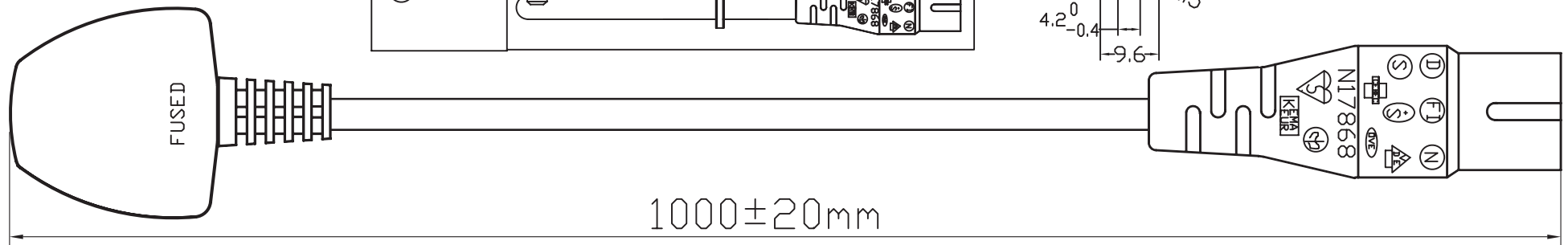
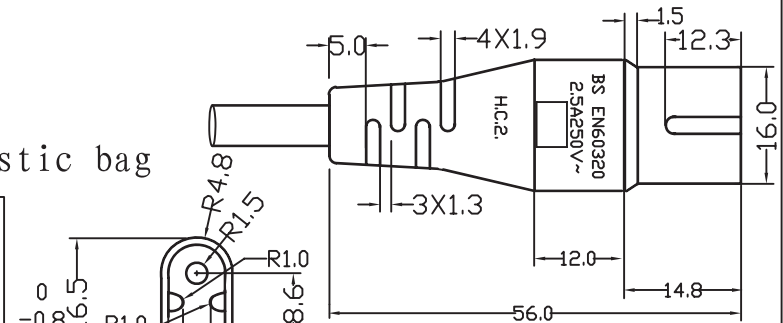
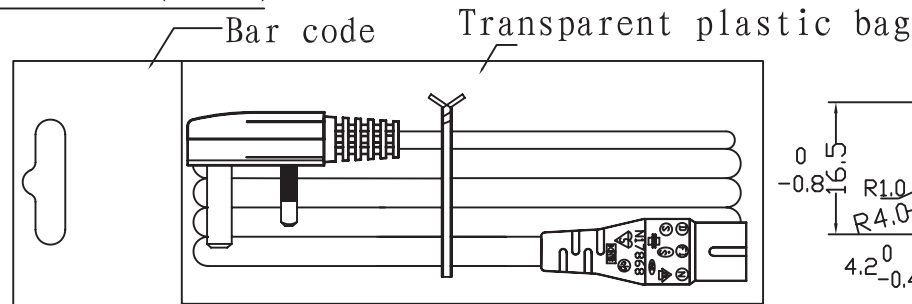
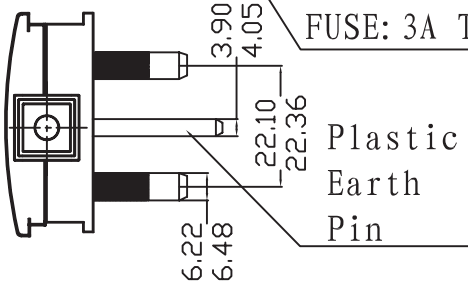


REVISION			
SYM	DESCRIPTION	DATE	APP



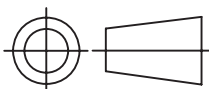
CABLE MARKING: H03VVH2-F 2X0.75mm² ◁ VDE ▷ N19626 CCC A030116 NO. 2003010105097406 227 IEC
52(RVV) 300/300V 2X0.75mm²

CABLE COLOR: WHITE

Electrovision

UNLESS SPECIFIED ALL DIMENSIONS ARE IN MM TOLERANCE ON :

DWG SIZE : A4 ISSUE NO: A



CUSTOMER: ELECTROVISION

CUSTOMER PART NO.: A145DAW

SCALE N.T.S

DWG. WANG 2016/04/19

PART NO: QTY REQ'D PER UNIT: 1

FINAL PROTECTIVE FINISH:

SHEET 1 OF 1

CHK,

DRAWINGS NO: -ELECTROVISION-61

APP,