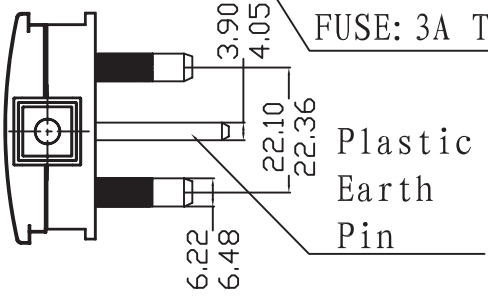
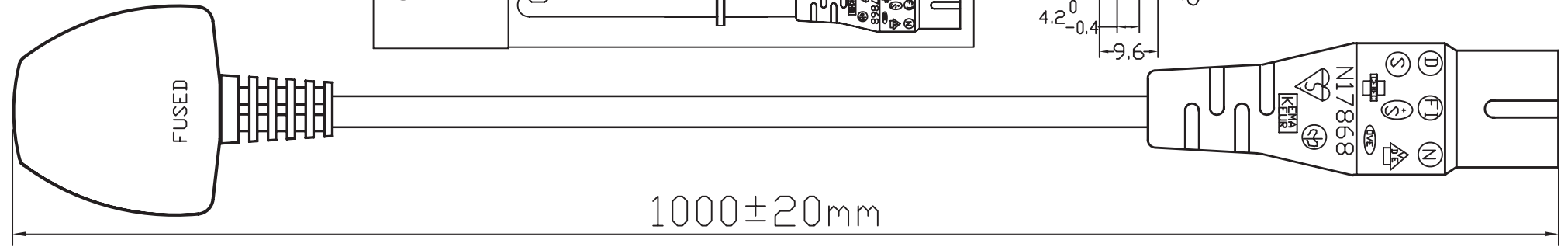
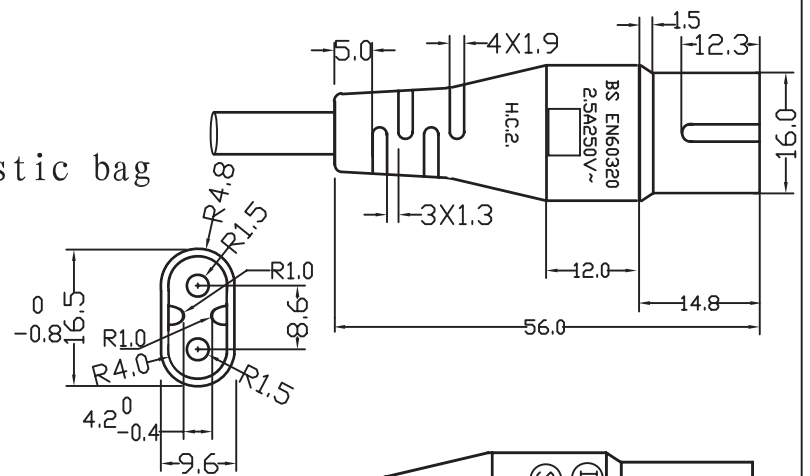
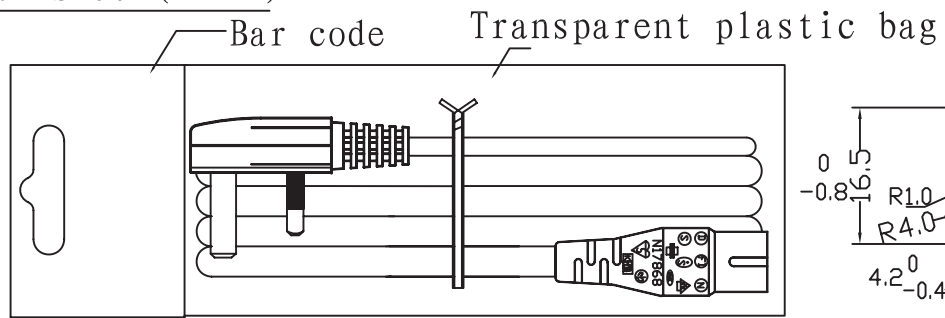


REVISION			
SYM	DESCRIPTION	DATE	APP



FUSE: 3A TO BS1362 (LYVIA)



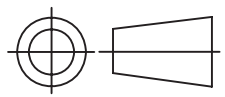
CABLE MARKING: H03VVH2-F 2X0.75mm<sup>2</sup> ◁ VDE ▷ N19626 CCC A030116 NO. 2003010105097406 227 IEC  
52(RVV) 300/300V 2X0.75mm<sup>2</sup>

CABLE COLOR: BLACK

# Electrovision

UNLESS SPECIFIED ALL DIMENSIONS ARE IN MM TOLERANCE ON :

DWG SIZE : A4  
ISSUE NO: A



CUSTOMER: ELECTROVISION	
PART NO:	QTY REQ'D PER UNIT: 1

CUSTOMER PART NO.: A145DA	SCALE N.T.S
FINAL PROTECTIVE FINISH:	SHEET 1 OF 1
DRAWINGS NO: -ELECTROVISION-60	

DWG. WANG	2016/04/19
CHK.	
APP.	