



Multi-Purpose Stool

VB511AW (White) / VB511AB (Blue) / VB511AR (Red)



Fixing and Maintenance Instructions

This file is available to view and download as a PDF at www.aidapt.co.uk. Sight impaired customers can use a free PDF Reader (such as adobe.com/reader) to zoom in and increase the text size for improved readability.

INTRODUCTION

Please examine your product for any visible damage before using/installing. If you see any damage or suspect a fault, please do not use, but contact your supplier.

N.B. This equipment must be installed by a competent person and a risk assessment may be needed as to the suitability of the stool for the particular user.

Weight Limit: 100kg (15.74st.)

NB. Do not exceed the weight limit stated – doing so could put the user at risk.

NB: Not suitable for use as a step, for use only by competent adults.

INTENDED USE

This item is a height adjustable, lightweight shower seat, designed to provide extra comfort in the shower, for occasional use.

NB: Not suitable for use as a step, for use only by competent adults.

CLEANING

All of the product components are manufactured from quality materials. However, it is very important that you only clean your shower chairs and stools using a non-abrasive cleaner or mild detergent with a soft cloth avoid using lime scale remover. Abrasive cleaners and or abrasive cleaning pads will seriously damage your product beyond repair.

Do not exceed 50°C when cleaning the seat cover and/or back as this will permanently damage the plastic.

NB: Regular daily cleaning will reduce the build up of limescale on your product.

UNDER NO CIRCUMSTANCES use any abrasive cleaners or materials on any of the components. Also check that the cleaner you intend to use is suitable for ABS, Vinyl, Polymer Plastics and Thermo plastic rubbers and Polyurethane Rubber.

USE OF BATH OILS

Caution should be observed if you are using any form of bath oils or oily skin preparation with your shower chair as this may impair your natural contact skin resistance.

In the event of using any such oil, your seat must be thoroughly cleaned with a suitable detergent to break down any oily residue. Failure to observe this recommendation could impair your safety.

CARE & MAINTENANCE

Please make a safety check of the product at regular intervals (at least every 6 months) or on reissue, or if you have any concerns.

ASSEMBLY

1. Take all parts out of packaging and check before assembly (see Fig. 1).

2. Assemble legs as shown in Fig. 2. Ensure that nut G is fully tightened.

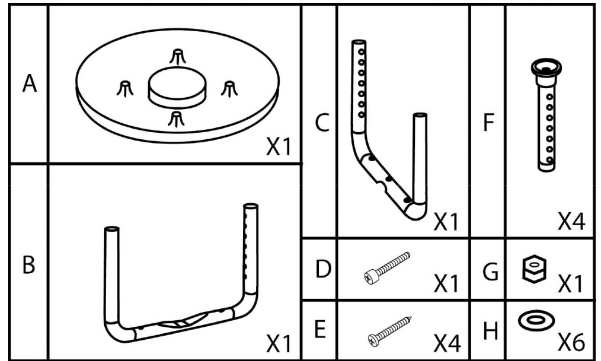


Fig. 1

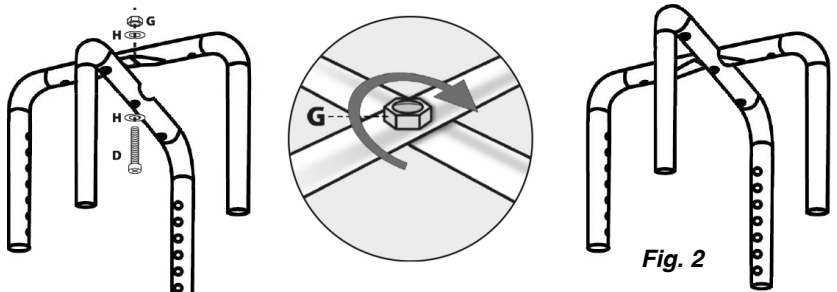


Fig. 2

3. Attach the assembled legs to the seat (fig. 3)

4. Make sure that each leg is fully locked into position and is fully tightened

5. To adjust the height of the seat, press the locking pin on the leg and slide the leg out to the desired height, making sure that the locking pin relocates in one of the holes. This process must be carried out on all four legs and they must be at the same setting for safety

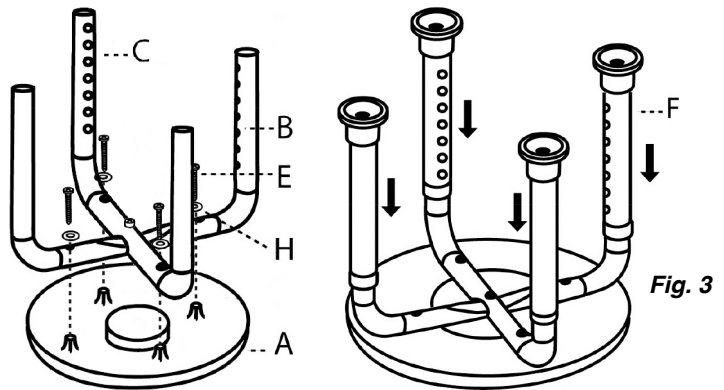


Fig. 3

NB: Never install the extension legs unevenly or slanting, this will compromise the safety of the user.

IMPORTANT INFORMATION

The information given in this instruction booklet must not be taken as forming part of or establishing any contractual or other commitment by Aidapt Bathrooms Limited, Aidapt

(Wales) Ltd or its agents or its subsidiaries and no warranty or representation concerning the information is given.

Please exercise common sense and do not take any unnecessary risks when using this product; as the user you must accept liability for safety when using the product.

Please do not hesitate to contact the person who issued this product to you or the manufacturer (detailed below) if you have any queries concerning the assembly/ use of your product.

Aidapt Bathrooms Ltd, Lancots Lane, Sutton Oak, St Helens, WA9 3EX
Telephone: +44 (0) 1744 745 020 • Fax: +44 (0) 1744 745 001
Web: www.aidapt.com • Email: sales@aidapt.co.uk