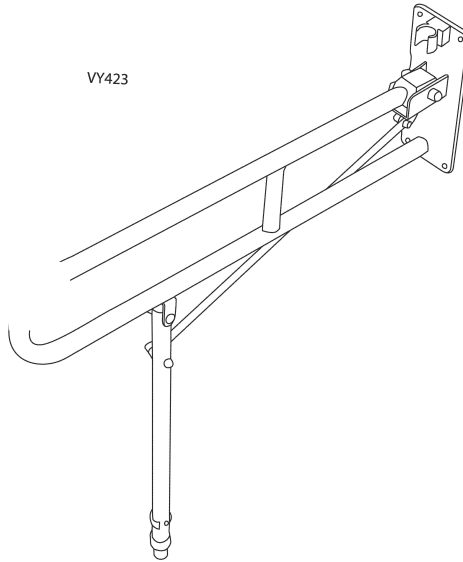




This user manual contains essential information in relation to safe use and should be retained for future use.

Solo Hinged Arm Support



VY423X with leg
VY424X without leg

Fixing and Maintenance Instructions



Aidapt Bathrooms
Limited Lancots Lane
Sutton Oak
St Helens
Merseyside WA9 3EX UK



INTRODUCTION

Thank you for deciding to purchase from the Aidapt Solo Hinged Arm Supports range. This range is manufactured from the finest materials and components available. When installed and used correctly they are designed to give many years of reliable trouble-free service. Please examine your product for any visible damage before using. If you see any damage or suspect a fault, please contact your supplier.

NB. This equipment must be installed by a competent person.

Product

VY423X - Solo Hinged Arm Support with leg
VY424X - Solo Hinged Arm Support without leg

Weight Limit

154kg
154kg

Do not exceed the weight limit stated – doing so could put the user at risk.

N.B. The weight limits quoted are based on the product performance with secure fixings.

BEFORE USE

- Carefully remove all packaging. Avoid using any knives or other sharp instruments as this may damage the surface of the product.
- Check the product for any visible damage. If you see any damage or suspect a fault, do not use your product as it may compromise your safety, but contact your supplier for support.

FIXING OF WALL PLATE AND/ OR FLOOR PLATE

Firstly check the substrate where you intend to fix your hinged arm support, ensuring that it is sound. Also check the type of substrate you intend to fix to e.g. brick/ block timber or concrete. Always check the type of fixing you are going to use on this substrate for their compatibility.

To fit the hinged arm support, choose the area where you intend to fix the product, offer up and mark the wall through the fixing holes, ensuring that you keep the arm level and square.

When the hinged arm support is in the upright position. The extra clip (Fig.1) should be used to lock the arm support in place in the up right position. See Fig.2 for location of clip.

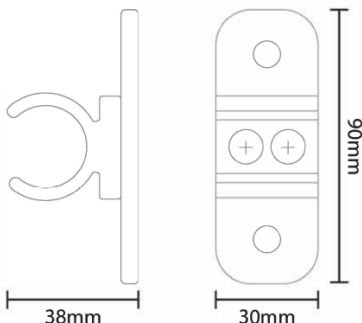
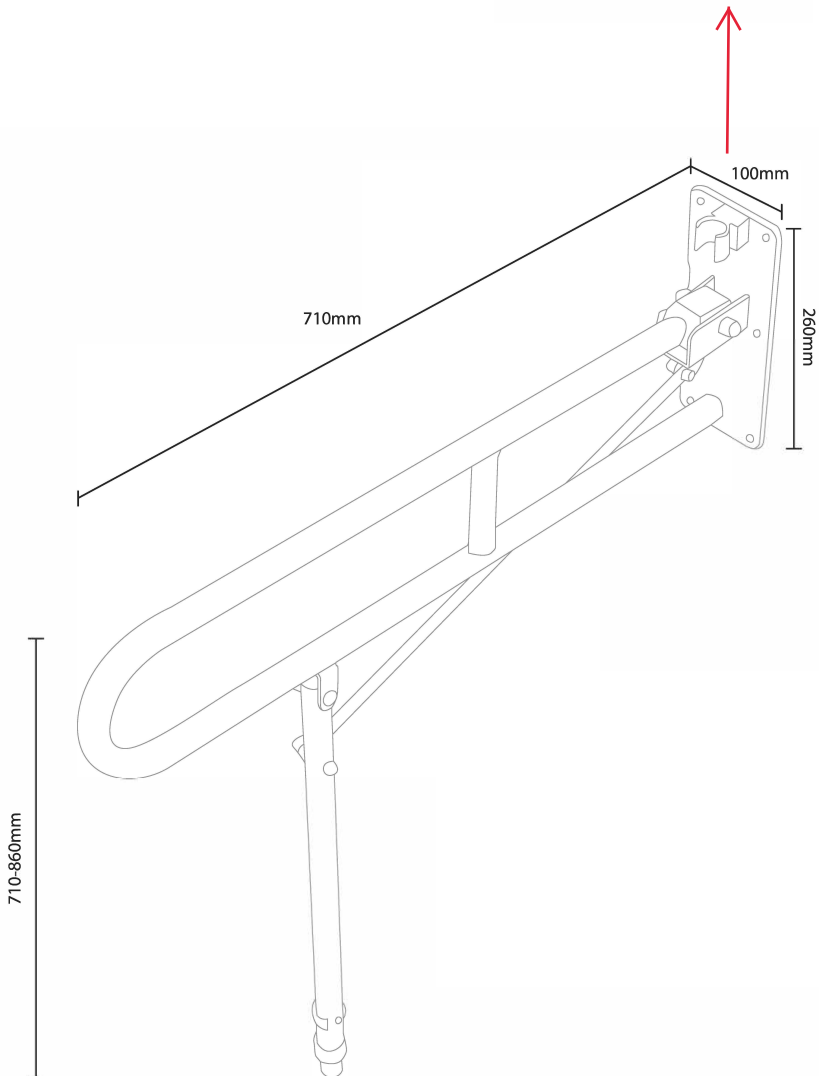
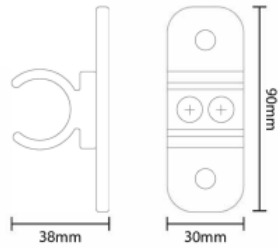


Fig. 1

Once the main body of the arm support is fitted. The extra clip should be fitted approximately 650mm above the fitting on the wall. This will allow extra support when in the up right position.



We recommend that if you are in any doubt, you consult a reputable fixing supplies company such as Hilti or Fischer.



Never install any hinged arm support directly onto plaster board, MDF (medium density fibreboard), chipboard or other composite material. This will seriously compromise the safety of the user.



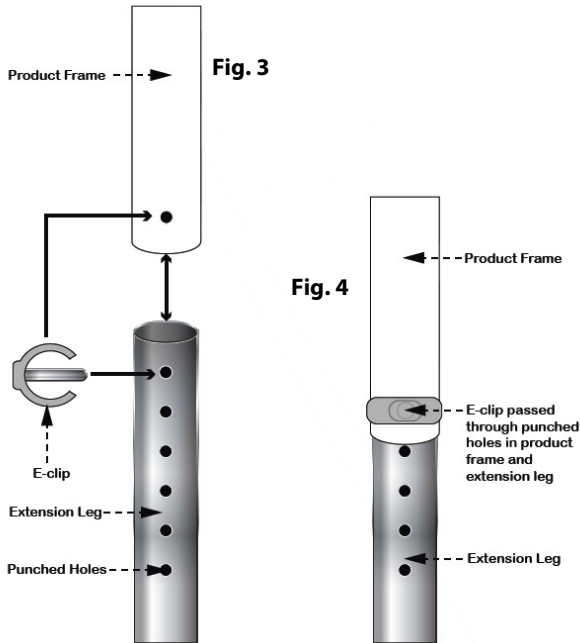
Never drill through pre-stressed concrete to install a hinged arm support.

Always check for concealed electrical cables when installing hinged arm supports. Also check your legal requirements under the NICE IC 16th Edition relating to Earth bonding of extraneous metal parts.

ADJUSTMENT OF LEGS (IF APPLICABLE)

Before fixing a hinged arm support with leg, remove the 'E' clip from the extension leg and extend the leg to the desired height ensuring you do not exceed the last punched hole of the extension leg. (see Fig. 3).

Once you have achieved the desired height; reinstall the 'E' clip, ensuring that it has passed through the extension leg and is fitting neatly and snug around the outside leg. (see Fig. 4).



TECHNICAL SPECIFICATION

Colour: White

Net weight: 2.95kg

Gross weight: 3kg

Boxed: Singly

Maximum user weight: 154kg

Transport dimensions: 865mm x 220mm x 110mm

CLEANING

Do not use abrasive cleaners as this could damage the surface of the equipment. For cleaning, wipe with a clean cloth soaked in detergent solution and wring out. Depending on the detergent manufacturer's instructions the solution may be heated.

Wipe all surfaces of the equipment and the cloth should be re-immersed periodically and the detergent changed frequently. The detergent should be rinsed or wiped off using a clean cloth immersed in clean water and wrung out.

To disinfect make sure the equipment has been cleaned and dried and then wipe over with a clean cloth and a compatible liquid disinfectant. After disinfecting clean with clean water and dry.

When using detergent or disinfectants then please refer to manufacturers' instructions and if unsure then consult your local Infection Control Specialist for advice.

This equipment can be cleaned/disinfected by moist heat at 80°C for a minimum of 1 minute or autoclaved at 80°C for at least 1 minute. After cleaning or disinfecting treat all joints with a water dispersing agent, e.g. WD40.

REISSUE

If you reissue or are about to reissue this product, please thoroughly check all components for their safety.

If in any doubt, please do not issue or use, but immediately contact your supplier for service support.

CARE & MAINTENANCE

Please make a safety check of the product at regular intervals or if you have any concerns.

IMPORTANT INFORMATION

The information given in this instruction booklet must not be taken as forming part of or establishing any contractual or other commitment by Aidapt Bathrooms Limited, Aidapt (Wales) Ltd or its agents or its subsidiaries and no warranty or representation concerning the information is given.

Please exercise common sense and do not take any unnecessary risks when using this product; as the user you must accept liability for safety when using the product.

Please do not hesitate to contact the person who issued this product to you or the manufacturer (detailed below) if you have any queries concerning the assembly/use of your product.



Aidapt Bathrooms Limited
Lancots Lane
St Helens
Merseyside, WA9 3EX UK



01744 745020



Overseas enquiries
00441744 745020



sales@aidapt.co.uk



www.aidapt.co.uk



Aidapt BV
Algolweg 22
3821BH Amersfoort
Netherlands
nederland@aidapt.eu

